

H5SL Camera Line

1.3 MP

2 MP

3 MP

5 MP



Features



UNUSUAL MOTION DETECTION

Uses AI to notify you of unusual events that might otherwise have been missed, offering increased situational awareness and helping you effectively monitor more cameras.



LIGHTCATCHER™ TECHNOLOGY

Offers exceptional detail in areas with low lighting.



DUAL EXPOSURE WIDE DYNAMIC RANGE

Capture details in scenes with both very bright and dark areas.



ONVIF® COMPLIANT

Built on an open platform to allow integration with other security solutions.



MULTIPLE LENS OPTIONS

Choose from various lens types, including long zoom, for flexible coverage options.



H.265 WITH HDSM SMARTCODEC™ TECHNOLOGY

Optimizes compression levels for regions in a scene to help maximize bandwidth savings, helping to keep internet connectivity costs down.



ADAPTIVE INFRARED (IR)

Automatically adjusts IR beam width and exposure settings based on scene conditions to help maximize image quality.



RELAY I/O CONNECTIONS

Incorporate and configure input/output actions and alarms for fast event response.



MADE IN NORTH AMERICA AND 5 YEAR WARRANTY

Manufactured in North America* using globally-sourced materials and North American expertise, Avigilon stands behind the quality of its products. Backed by a 5 year warranty.

Specifications

| | | 1.3 MP | 2.0 MP | 3.0 MP | 5.0 MP |
|---------------------------|-----------------------|---|----------------------------------|------------------------------------|---|
| IMAGE PERFORMANCE | Image Sensor | 1/2.8" progressive scan CMOS | | | |
| | Aspect Ratio | 5:4 | 16:9 | 4:3 | 4:3 |
| | Active Pixels (H x V) | 1280 x 1024 | 1920 x 1080 | 2048 x 1536 | 2592 x 1944 |
| | Imaging Area (H x V) | 3.2 mm x 2.56 mm; 0.126" x 0.101" | 4.8 mm x 2.7 mm; 0.189" x 0.106" | 5.12 mm x 3.84 mm; 0.202" x 0.151" | 5.18 mm x 3.89 mm; 0.204" x 0.153" |
| | Max Image Rate | (50 Hz/60 Hz): 25 fps/30 fps | | | (50 Hz/60 Hz): 25 fps/24 fps |
| | Dynamic Range | WDR Off | 100 dB | | |
| | | WDR On | 120 dB (dual exposure) | | |
| | Resolution Scaling | Down to 384 x 216 | | | |
| | Camera Operating Mode | N/A | | | Full feature or High framerate mode (UMD disabled in High framerate mode) |
| | Bandwidth Management | HDSM SmartCodec technology; Idle scene mode | | | |
| 3D Noise Reduction Filter | Yes | | | | |

| | | 3 – 9 mm | 3.1 – 8.4 mm | 9.5 – 31 mm | |
|--|---|--|--|---|---|
| LENS AND IR ILLUMINATION | IR Illumination Max Distance (high power 850 nm LEDs) | Dome | 30 m (100 ft), full tele 20 m (65 ft), full wide | 30 m (100 ft), full tele 20 m (65 ft), full wide | N/A |
| | | Bullet | N/A | 50 m (165 ft), full tele 30 m (100 ft), full wide | 70 m (230 ft), full tele 30 m (100 ft), full wide |
| | Minimum Illumination | 1.3 MP | With IR: 0 lux in color or monochrome mode Without IR: 0.03 lux in color mode; 0.015 lux in monochrome mode | With IR: 0 lux in color or monochrome mode Without IR: 0.04 lux in color mode; 0.02 lux in monochrome mode | N/A |
| | | 2.0 MP | | | N/A |
| | | 3.0 MP | N/A | With IR: 0 lux in color or monochrome mode Without IR: 0.02 lux in color mode; 0.01 lux in monochrome mode | With IR: 0 lux in color or monochrome mode Without IR: 0.03 lux in color mode; 0.015 lux in monochrome mode |
| | | 5.0 MP | | | With IR: 0 lux in color or monochrome mode Without IR: 0.015 lux in color mode; 0.007 lux in monochrome mode |
| | Horizontal Angle of View Based on Aspect Ratio | 1.3 MP | (16:9)(4:3) 35° – 90° (5:4) 33° – 85° | (16:9)(4:3) 35° – 90° (5:4) 33° – 85° | N/A |
| | | 2.0 MP | | | N/A |
| | | 3.0 MP | N/A | (16:9)(4:3) 35° – 90° | (16:9) 10° – 32°; (5:4) 9.5° – 32°; (4:3) 9.5° – 30° |
| | | 5.0 MP | | | (16:9)(4:3) 9.5° – 30° |
| Vertical Angle of View Based on Aspect Ratio | 1.3 MP | (16:9) 20° – 49° (5:4)(4:3) 26° – 66° | (16:9) 20° – 49° (5:4)(4:3) 26° – 66° | N/A | |
| | 2.0 MP | | | N/A | |
| | 3.0 MP | N/A | (16:9) 20° – 49°; (4:3) 26° – 66° | (16:9) 6° – 17°; (5:4)(4:3) 7° – 23° | |
| | 5.0 MP | | | (16:9) 6° – 17°; (4:3) 7° – 23° | |
| Max Aperture | F1.4 | | F1.6 | F1.4 | |
| Control | P-Iris, Remote Focus and Zoom | | | | |

| | | |
|----------------------|----------------------------|---|
| IMAGE CONTROL | Image Compression Method | H.264 HDSM SmartCodec, H.265 HDSM SmartCodec, Motion JPEG |
| | Streaming | Multi-stream H.264, Multi-stream H.265, Motion JPEG |
| | Motion Detection | Pixel and Unusual Motion Detection (UMD) |
| | Tamper Detection | Yes |
| | Electronic Shutter Control | Automatic, Manual (1/6 to 1/8000 sec) |
| | Iris Control | Automatic, Manual |
| | Day/Night Control | Automatic, Manual |
| | Flicker Control | 50 Hz, 60 Hz |
| | White Balance | Automatic, Manual |
| | Backlight Compensation | Adjustable |
| | Privacy Zones | Up to 64 zones |

| | | |
|----------------------|--------------------------|-----------------------------|
| AUXILIARY I/O | Audio Compression Method | Opus, G.711 PCM 8 kHz |
| | Audio Input/Output | Line level input and output |
| | External I/O Terminals | Alarm In, Alarm Out |

| | | |
|----------------|-----------------------------|--|
| NETWORK | Network | 100BASE-TX |
| | Cabling Type | CAT5 |
| | Connector | RJ-45 |
| | ONVIF | ONVIF compliant with Profile S and Profile T (www.onvif.org) |
| | Security | Password protection, HTTPS encryption, digest authentication, WS authentication, user access log, 802.1x port based authentication |
| | Protocols | IPv6, IPv4, HTTP, HTTPS, SOAP, DNS, NTP, RTSP, RTCP, RTP, TCP, UDP, IGMP, ICMP, DHCP, Zeroconf, ARP |
| | Streaming Protocols | RTP/UDP, RTP/UDP multicast, RTP/RTSP/TCP, RTP/RTSP/HTTP/TCP, RTP/RTSP/HTTPS/TCP, HTTP |
| | Device Management Protocols | SNMP v2c, SNMP v3 |

| | | |
|--------------------|-----------------|--|
| PERIPHERALS | USB Port | USB 2.0 |
| | Onboard Storage | microSD/microSDHC/microSDXC slot – minimum class 6; class 10/UHS-1 or better recommended |

Specifications (Con't)

MECHANICAL (DOME)

| | SURFACE MOUNT | | IN-CEILING MOUNT | PENDANT MOUNT | |
|------------------------|--|---|---|---|---|
| | | | | NPT ADAPTER | NPT + WALL MOUNT |
| Dimensions (LxWxH) | 147 mm x 147 mm x 119 mm; 5.8" x 5.8" x 4.7" | 174 mm x 174 mm x 162 mm; 6.9" x 6.9" x 6.4" | 153 mm x 153 mm x 166 mm; 6.0" x 6.0" x 6.5" | 269 mm x 153 mm x 214 mm; 10.6" x 6.0" x 8.4" | |
| Max. Ceiling Thickness | N/A | | 32 mm (1.25") | N/A | |
| Weight | Indoor Dome — 0.76 kg; 1.68 lbs Outdoor Dome — 0.78 kg; 1.72 lbs | Indoor Dome — 0.75 kg; 1.65 lbs Outdoor Dome — 0.77 kg; 1.69 lbs | Indoor Dome — 0.75 kg; 1.65 lbs Outdoor Dome — 0.77 kg; 1.69 lbs | Indoor Dome — 0.75 kg; 1.65 lbs Outdoor Dome — 0.77 kg; 1.69 lbs | Indoor Dome — 2.02 kg; 4.45 lbs Outdoor Dome — 2.04 kg; 4.49 lbs |
| Dome Bubble | Polycarbonate, clear | | | | |
| Body | Polycarbonate | | | | Polycarbonate/aluminum |
| Housing | Vandal resistant | | | | |
| Finish | Cool grey | | | | Close to RAL 9003 |
| Adjustment Range | 360° pan, ±180° azimuth, 30° – 95° tilt (recommended), 10° – 95° tilt (maximum), | | | | |

MECHANICAL (BULLET)

| | | |
|--------------------|---|--------------------|
| Dimensions (LxWxH) | 285 mm x 131 mm x 97 mm; 11.2" x 5.1" x 3.8" (including mounting bracket) | |
| Weight | Camera | 1.29 kg (2.84 lbs) |
| | Mounting Bracket | 0.21 kg (0.46 lbs) |
| Body | Aluminum | |
| Housing | Surface mount, tamper resistant, vandal resistant | |
| Finish | Powder coat, cool grey | |
| Adjustment Range | ±175° pan, ±90° tilt, ±175° azimuth | |

ELECTRICAL

| | | |
|--------------------|------------------------------------|---------|
| Power Consumption | Indoor Dome | 5 W max |
| | Outdoor Dome | 8 W max |
| | Bullet | 9 W max |
| Power Source* | PoE: IEEE802.3af Class 3 compliant | |
| RTC Backup Battery | 3V manganese lithium | |

* When powered with some models of PoE++ injectors, the injectors may not power the camera correctly.

ENVIRONMENTAL

| | | |
|-----------------------|------------------------------------|-------------------------------------|
| Operating Temperature | Indoor Dome | 0 °C to +60 °C (32 °F to 140 °F) |
| | Bullet and Outdoor Dome | -30 °C to +60 °C (-22 °F to 140 °F) |
| Storage Temperature | -10 °C to +70 °C (14 °F to 158 °F) | |
| Humidity | 0 - 95% non-condensing | |

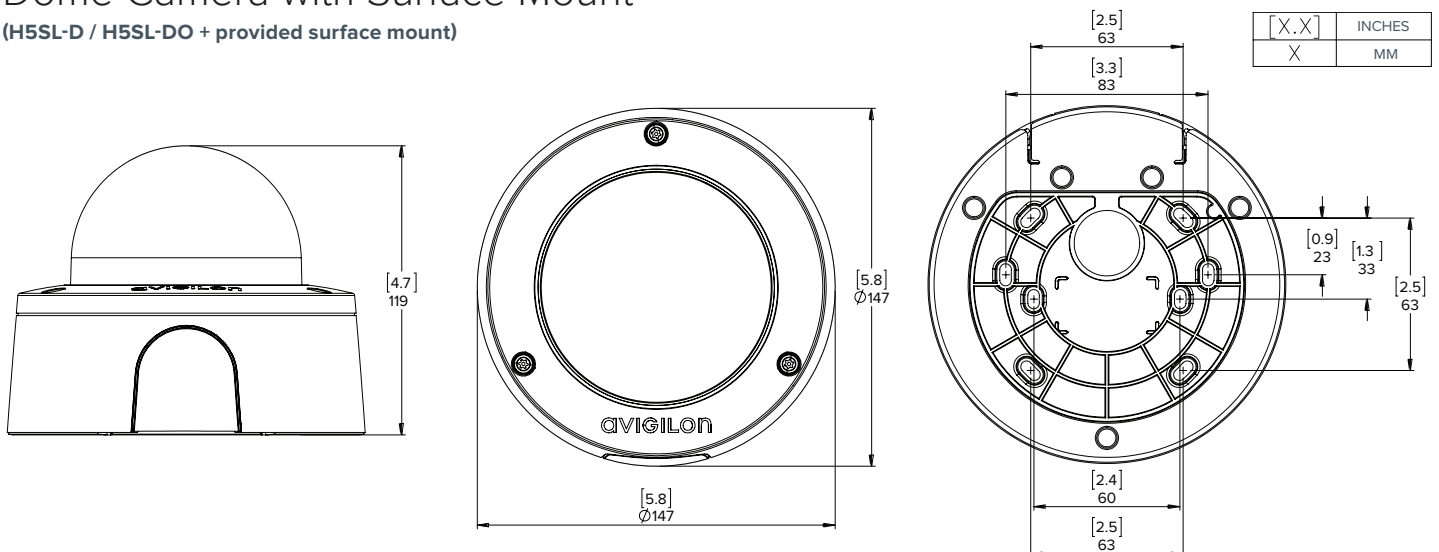
CERTIFICATIONS

| | | |
|---------------------------|--|---|
| Certifications/Directives | UL, cUL, CE, ROHS, RCM | |
| Safety | UL 62368-1, CSA 62368-1, IEC/EN 62368-1, IEC 62471 | |
| Environmental | Bullet | IEC 62262 IK10 Impact Rating, UL/CSA/IEC 60950-22, IEC 60529 IP66 and IP67 Weather Rating |
| | Outdoor Dome | IEC 62262 IK10 Impact Rating, UL/CSA/IEC 60950-22, IEC 60529 IP66 and IP67 Weather Rating |
| Electromagnetic Emissions | FCC Part 15 Subpart B Class B, IC ICES-003 Class B, EN 55032 Class B, EN 61000-6-3, EN 61000-3-2, EN 61000-3-3 | |
| Electromagnetic Immunity | EN 55024, EN 61000-6-1 | |
| Industrial EMC | EN 50130-4, EN 50121-4 | |

Outline Dimensions

Dome Camera with Surface Mount

(H5SL-D / H5SL-DO + provided surface mount)

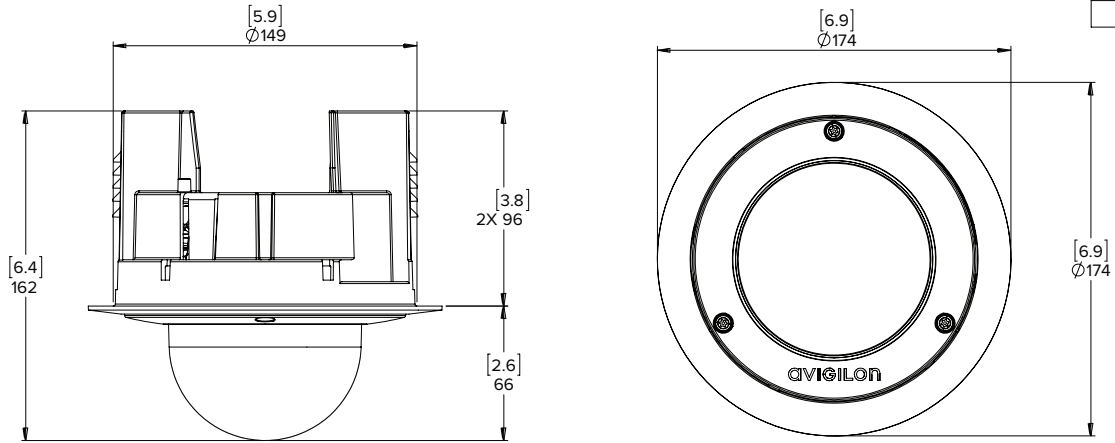


Outline Dimensions (Con't)

Dome Camera with In-Ceiling Mount

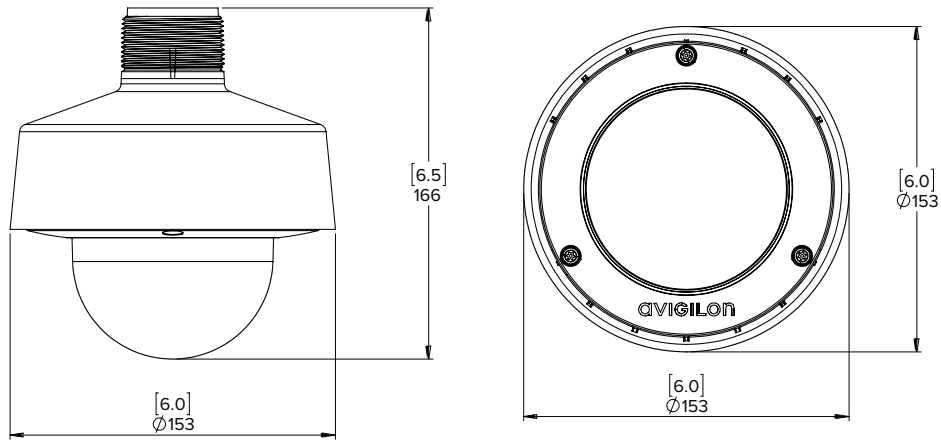
(H5SL-D/H5SL-DO + H4SL-MT-DCIL)

| [X.X] | INCHES |
|-------|--------|
| X | MM |



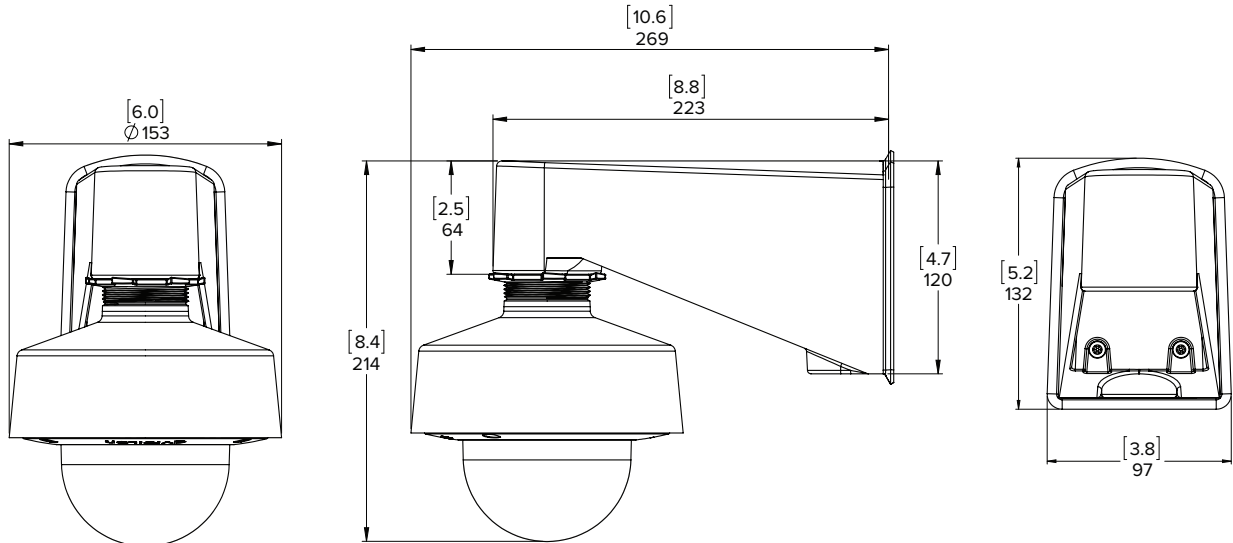
Dome Camera with NPT Adapter

(H5SL-D/H5SL-DO + H4SL-MT-NPTA)



Dome Camera with NPT Adapter and Pendant Wall Mount

(H5SL-D/H5SL-DO + H4SL-MT-NPTA + CM-MT-WALL1)

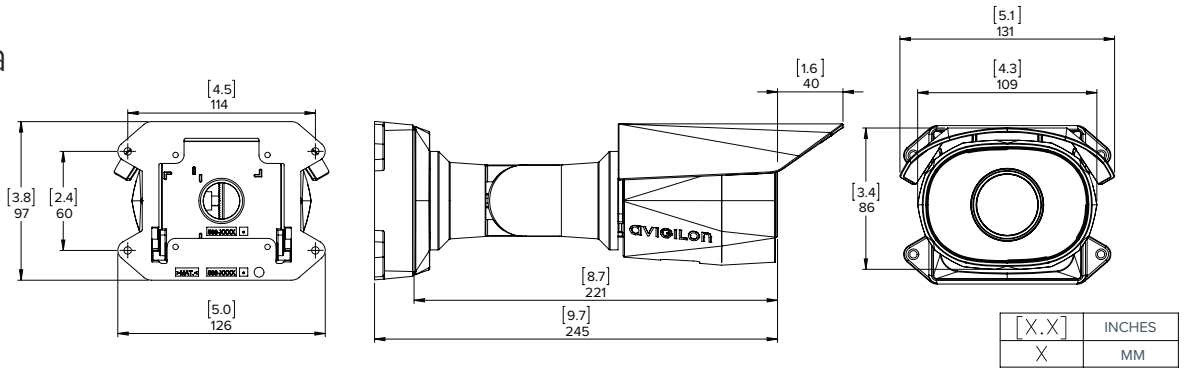


Outline Dimensions (Con't)

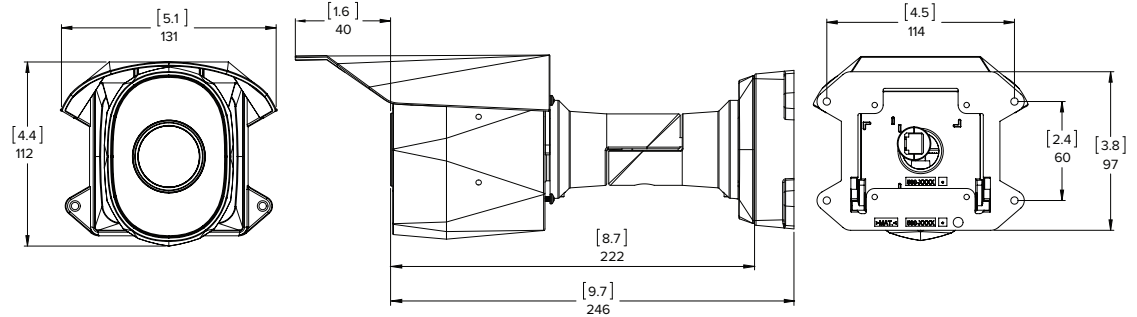
Bullet Camera

(H5SL-BO-IR)

LANDSCAPE
MODE

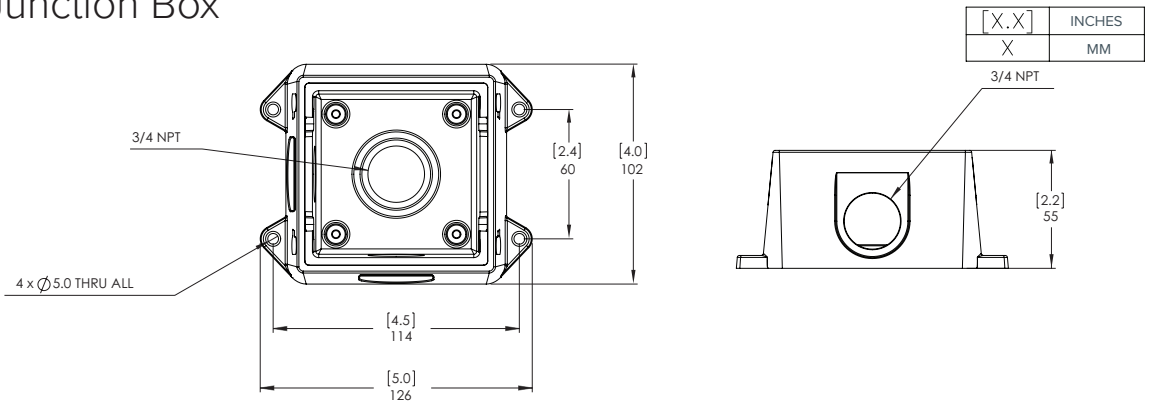


HALLWAY
MODE



Bullet Camera Junction Box

(H4-BO-JBOX1)



Ordering Information (Bullet)

| | MP | WDR | LightCatcher Technology | Lens | IR | IP66/IP67 | HDSM SmartCodec |
|------------------|-----|-----|-------------------------|-------------|----|-----------|-----------------|
| 1.3C-H5SL-BO1-IR | 1.3 | ✓ | ✓ | 31 - 8.4 mm | ✓ | ✓ | ✓ |
| 2.0C-H5SL-BO1-IR | 2.0 | ✓ | ✓ | 31 - 8.4 mm | ✓ | ✓ | ✓ |
| 3.0C-H5SL-BO1-IR | 3.0 | ✓ | ✓ | 31 - 8.4 mm | ✓ | ✓ | ✓ |
| 3.0C-H5SL-BO2-IR | 3.0 | ✓ | ✓ | 9.5 - 31 mm | ✓ | ✓ | ✓ |
| 5.0C-H5SL-BO1-IR | 5.0 | ✓ | ✓ | 31 - 8.4 mm | ✓ | ✓ | ✓ |
| 5.0C-H5SL-BO2-IR | 5.0 | ✓ | ✓ | 9.5 - 31 mm | ✓ | ✓ | ✓ |

| | |
|---------------------------------|---|
| H4-BO-JBOX1 | Junction box for H5SL, H4SL, and H4 HD bullet cameras |
| H4-MT-POLE1 | Aluminum pole mounting bracket |
| H4-MT-CRNR1 | Aluminum corner mounting bracket |
| H4-AC-WIFI2-NA / H4-AC-WIFI2-EU | USB Wi-Fi adapter |

Ordering Information (Dome)

The variety of mounting options for the H5SL dome camera provides maximum flexibility. All the available camera modules can be used in any of the mounting options.

MOUNTING SCENARIO

ORDERING INFORMATION

SURFACE MOUNT



Order one of:

- Camera

IN-CEILING MOUNT



Order one of:

- Camera
- H4SL-MT-DCIL1
- Optional, H4-DC-CPNL1 if ceiling panel needed

PENDANT NPT MOUNT



Order one of:

- Camera
- H4SL-MT-NPTA1

PENDANT WALL MOUNT



Order one of:

- Camera
- H4SL-MT-NPTA1
- CM-MT-WALL1
- Optional, H4-MT-POLE1 or H4-MT-CRNR1 if pole or corner mount needed

| | MP | WDR | LightCatcher Technology | Lens | IR | IP66/IP67 | HDSM SmartCodec |
|------------------|-----|-----|-------------------------|--------------|----|-----------|-----------------|
| 1.3C-H5SL-D1 | 1.3 | ✓ | ✓ | 3 - 9 mm | | | ✓ |
| 1.3C-H5SL-D1-IR | 1.3 | ✓ | ✓ | 3 - 9 mm | ✓ | | ✓ |
| 1.3C-H5SL-DO1-IR | 1.3 | ✓ | ✓ | 3.1 - 8.4 mm | ✓ | ✓ | ✓ |
| 2.0C-H5SL-D1 | 2.0 | ✓ | ✓ | 3 - 9 mm | | | ✓ |
| 2.0C-H5SL-D1-IR | 2.0 | ✓ | ✓ | 3 - 9 mm | ✓ | | ✓ |
| 2.0C-H5SL-DO1-IR | 2.0 | ✓ | ✓ | 3.1 - 8.4 mm | ✓ | ✓ | ✓ |
| 3.0C-H5SL-D1 | 3.0 | ✓ | ✓ | 3 - 9 mm | | | ✓ |
| 3.0C-H5SL-D1-IR | 3.0 | ✓ | ✓ | 3 - 9 mm | ✓ | | ✓ |
| 3.0C-H5SL-DO1-IR | 3.0 | ✓ | ✓ | 3.1 - 8.4 mm | ✓ | ✓ | ✓ |
| 5.0C-H5SL-D1 | 5.0 | ✓ | ✓ | 3.1 - 8.4 mm | | | ✓ |
| 5.0C-H5SL-D1-IR | 5.0 | ✓ | ✓ | 3.1 - 8.4 mm | ✓ | | ✓ |
| 5.0C-H5SL-DO1-IR | 5.0 | ✓ | ✓ | 3.1 - 8.4 mm | ✓ | ✓ | ✓ |

| | |
|---------------------------------|---|
| H4SL-MT-DCIL1 | In-ceiling mounting adapter for the H5SL and H4SL dome camera |
| H4SL-MT-NPTA1 | NPT adapter for the H5SL and H4SL dome camera |
| CM-MT-WALL1 | Pendant wall mount |
| H4-DC-CPNL1 | Metal ceiling panel |
| H4-MT-POLE1 | Aluminum pole mounting bracket |
| H4-MT-CRNR1 | Aluminum corner mounting bracket |
| H4-AC-WIFI2-NA / H4-AC-WIFI2-EU | USB Wi-Fi adapter |
| H4SL-DD-SMOK1 | Replacement outdoor smoke dome cover |
| H4SL-DD-CLER1 | Replacement outdoor clear dome cover |
| H4SL-DI-SMOK1 | Replacement indoor smoke dome cover |
| H4SL-DI-CLER1 | Replacement indoor clear dome cover |
| H4SL-DO1-BASE | Replacement outdoor surface mount adapter |
| H4SL-D1-BASE | Replacement indoor surface mount adapter |