

FLEXIDOME IP 3000i IR

www.boschsecurity.com



BOSCH

Invented for life



- ▶ 1080p and 5MP resolutions
- ▶ Built-in Essential Video Analytics to trigger relevant alerts and quickly retrieve data
- ▶ Fully configurable H.265 multi-streaming
- ▶ Easy to install with zoom/focus lens
- ▶ Built-in IR illuminator with 30 m (98 ft) viewing distance

The FLEXIDOME IP 3000i IR is built for high quality, 24/7 performance, with a range of reliable surveillance features, including Essential Video Analytics, and is designed for easy installation.

The compact and minimalist design provides high installation flexibility and offers various mounting options.

Functions

Essential Video Analytics

The built-in video analysis reinforces the Intelligence-at-the-Edge concept and now delivers even more powerful features. Essential Video Analytics is ideal for use in controlled environments with limited detection ranges.

The system reliably detects, tracks, and analyzes objects, and alerts you when predefined alarms are triggered. A smart set of alarm rules makes complex tasks easy and reduces false alarms to a minimum. Metadata is attached to your video to add sense and structure. This enables you to quickly retrieve the relevant images from hours of stored video. Metadata can also be used to deliver irrefutable forensic evidence or to optimize business processes based on people counting or crowd density information.

High Dynamic Range

The high dynamic range mode is based on a multiple-exposure process that captures more details in the highlights and in the shadows even in the same scene. The result is that you can easily distinguish objects and features, for example, faces with bright backlight. The actual dynamic range of the camera is measured using Opto-Electronic Conversion Function (OECF) analysis according to IEC 62676 Part 5.

Intelligent streaming

Smart encoding capabilities, together with Intelligent Dynamic Noise Reduction technology and analytics, reduce the bandwidth consumption to extremely low levels. Only relevant information in the scene, like motion, or objects found with the analytics, need to be encoded.

The camera is capable of triple streaming which allows the camera to deliver independent, configurable streams for live viewing, recording, or remote monitoring via constrained bandwidths.

Each of these streams can be adapted independently to deliver high quality video, perfectly tailored to purpose, while reducing bit rate by up to 90% compared to a standard camera.

H.265 high-efficiency video encoding

The camera is designed on the most efficient and powerful H.264 and H.265/HEVC encoding platform. The camera is capable of delivering high-quality and high-resolution video with very low network load. With a doubling of encoding efficiency, H.265 is the new compression standard of choice for IP video surveillance systems.

Recording and storage management

Recording management can be controlled by the Bosch Video Recording Manager application, or the camera can use local storage and iSCSI targets directly without any recording software. Local storage can be used for recording "at the edge" or for Automatic Network Replenishment (ANR) technology to improve the overall recording reliability. Pre-alarm recording in RAM reduces bandwidth consumption on the network and extends the effective life of the memory card.

Edge recording

Insert a memory card into the card slot to store up to 2 TB of local alarm recording. Pre-alarm recording in RAM reduces recording bandwidth on the network, and extends the effective life of the memory card. It has advanced edge recording providing a reliable storage solution possible due to the combination of these functions:

- Industrial SD card support allows for extreme lifetime
- Health monitoring of industrial SD cards provide early service indications.

DORI coverage

DORI (Detect, Observe, Recognize, Identify) is a standard system (EN-62676-4) for defining the ability of a camera to distinguish persons or objects within a covered area. The maximum distance at which a camera/lens combination can meet these criteria is shown below:

1080p camera with 3.2 mm to 10 mm lens

| DORI | DORI definition | Distance 3.2 mm/ 10 mm | Horizontal width |
|-----------|---------------------|--------------------------|------------------|
| Detect | 25 px/m (8 px/ft) | 30 m/75 m (98 ft/246 ft) | 77 m (253 ft) |
| Observe | 63 px/m (19 px/ft) | 12 m/30 m (39 ft/98 ft) | 30 m (98 ft) |
| Recognize | 125 px/m (38 px/ft) | 6 m/15 m (20 ft/49 ft) | 15 m (49 ft) |
| Identify | 250 px/m (76 px/ft) | 3 m/8 m (10 ft/25 ft) | 8 m (25 ft) |

5.3MP camera with 3.2 mm to 10 mm lens

| DORI | DORI definition | Distance 3.2 mm/ 10 mm | Horizontal width |
|-----------|---------------------|----------------------------|------------------|
| Detect | 25 px/m (8 px/ft) | 63 m/141 m (207 ft/463 ft) | 123 m (404 ft) |
| Observe | 63 px/m (19 px/ft) | 25 m/56 m (82 ft/184 ft) | 49 m (161 ft) |
| Recognize | 125 px/m (38 px/ft) | 13 m/28 m (43 ft/92 ft) | 25 m (82 ft) |
| Identify | 250 px/m (76 px/ft) | 6 m/14 m (20 ft/46 ft) | 12 m (39 ft) |

Easy installation

Power for the camera can be supplied via a Power-over-Ethernet compliant network cable connection. With this configuration, only a single cable connection is required to view, power, and control the camera. Using PoE makes installation easier and more cost-effective, as cameras do not require a local power source.

The camera can also be supplied with power from +12 VDC power supplies.

For trouble-free network cabling, the camera supports Auto-MDIX which allows the use of straight or cross-over cables.

True day/night switching

The camera incorporates mechanical filter technology for vivid daytime color and exceptional night-time imaging while maintaining sharp focus under all lighting conditions.

Tamper and motion detection

A wide range of configuration options is available for alarms signaling camera tampering. A built-in algorithm for detecting movement in the video can also be used for alarm signaling.

Two-way audio and audio alarm

Two-way audio allows the operator to communicate with visitors or intruders via an external audio line input and output. Audio detection can be used to generate an alarm if needed.

Data security

Special measures have been put in place to ensure the highest level of security for device access and data transport. The three-level password protection with security recommendations allows users to customize device access. Web browser access can be protected using HTTPS and firmware updates can also be protected with authenticated secure uploads. The on-board Trusted Platform Module (TPM) and Public Key Infrastructure (PKI) support, guarantee superior protection from malicious attacks. The 802.1x network authentication with EAP/TLS, supports TLS 1.2 with updated cipher suites including AES 256 encryption.

The advanced certificate handling offers:

- Self-signed unique certificates automatically created when required
- Client and server certificates for authentication
- Client certificates for proof of authenticity
- Certificates with encrypted private keys

System integration and ONVIF conformance

The camera conforms to the ONVIF Profile S, ONVIF Profile G and ONVIF Profile T specifications. For H.265 configuration, the camera supports Media Service 2, which is part of ONVIF Profile T. Compliance with these standards guarantees interoperability between network video products regardless of manufacturer. Third-party integrators can easily access the internal feature set of the camera for integration into large projects. Visit the Bosch Integration Partner Program (IPP) website (ipp.boschsecurity.com) for more information.

Universal accessories

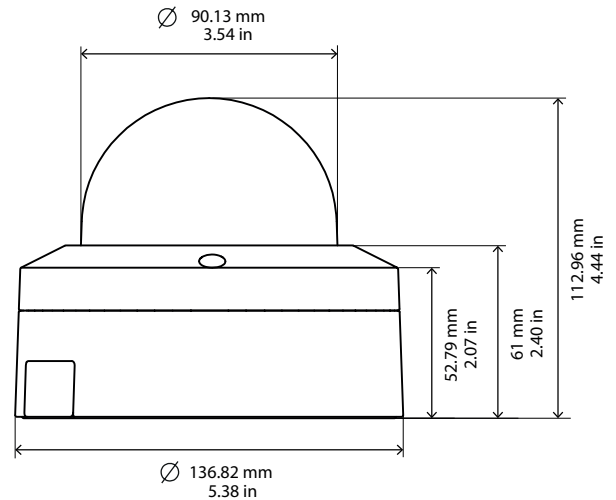
A full line of universal accessories are available that allow a consistent design across different platforms and a wide range of installation possibilities. Several dedicated accessories are available that seamlessly fit to the camera and expand the different installation options over previous generations.

Certifications and approvals

| Standard | Type |
|----------------------|--|
| Emission | EN 55032 CFR 47 FCC part 15, Class B AS/NZS CISPR 32 |
| Immunity | EN 50130-4 EN 50121-4 |
| Environmental | EN 50130-5 (Class IV); EN 60068-2-1, EN 60068-2-2, EN 60068-2-6, EN 60068-2-18, EN 60068-2-27, EN 60068-2-30, EN 60068-2-52, EN 60068-2-75, EN 60068-2-78, EN 60068-2-5 |
| Safety | EN 60950-1 EN 60950-22 UL 60950-1 UL 60950-22 IEC 62471 CAN/CSA-C22.2 No. 60950-1 CAN/CSA-C22.2 No. 60950-22-07 |
| Image performance | IEC 62676-5 |
| HD | SMPTE 296M-2001 (Resolution: 1280x720) SMPTE 274M-2008 (Resolution: 1920x1080) |
| Color representation | ITU-R BT.709-6 |
| ONVIF conformance | EN 50132-5-2 EN 62676-2 |

| Standard | Type |
|-----------------------|--|
| Impact protection | EN 62262 (IK10) |
| Water/dust protection | EN 60529 (IP66) |
| Environmental | EN 50581 (RoHS) |
| Marks | CE, FCC, cULus, WEEE, RCM, VCCI, CMIM, EAC |

Installation/configuration notes



Technical specifications

| Power | |
|---|---|
| Input voltage | POE IEEE 802.3af / 802.3 at Type 1, Class 0 12 VDC \pm 30% |
| Power consumption (typical / maximum) | PoE: 3.5 W / 10.5 W 12 VDC: 3.1 W / 9.5 W |
| Sensor | |
| 2 MP | |
| Sensor type | 1/2.8 inch CMOS |
| Effective pixels | 1920 (H) x 1080 (V) |
| 5.3 MP | |
| Sensor type | 1/2.9 inch CMOS |
| Effective pixels | 3072 (H) x 1728 (V) |
| Video performance - Sensitivity | |
| 2 MP | |
| Measured according to IEC 62676 Part 5 (1/30, F1.6) | |
| • Color | 0.06 lx |
| • Mono | 0.02 lx |

Video performance - Sensitivity

| | |
|---|----------|
| • With IR | 0.0 lx |
| 5.3 MP | |
| Measured according to IEC 62676 Part 5 (1/30, F1.6) | |
| • Color | 0.379 lx |
| • Mono | 0.042 lx |
| • With IR | 0.0 lx |

Video performance - Dynamic range

| | |
|--|------------|
| High Dynamic Range | 120 dB WDR |
| Measured according to IEC 62676 Part 5 | |
| 2 MP | 103 dB |
| 5.3 MP | 101 dB |

Optical

| | |
|---------------|---|
| Lens type | 3.2 to 10 mm, F1.6 |
| Adjustment | Motorized zoom/focus |
| Iris control | DC iris control |
| Day/Night | Switchable IR-cut filter |
| Field of view | |
| 2 MP | Wide: 104° x 54° (H x V) Tele: 33° x 19° (H x V) |
| 5.3 MP | Wide: 89° x 47° (H x V) Tele: 30° x 17° (H x V) |

Night vision

| | |
|--------------|----------------|
| Distance | 30 m (98 ft) |
| LED | 3 LEDs, 850 nm |
| IR intensity | Adjustable |

Video streaming

| | |
|-------------------|--|
| Video compression | H.265; H.264; M-JPEG |
| Sensor modes | |
| 2 MP | 30 fps, HDR, 1920 x 1080 25 fps, HDR, 1920 x 1080 |
| 5.3 MP | 20 fps, HDR, 3072 x 1728 (5.3 MP) 25 fps, HDR, 2720 x 1530 (4.1 MP) |
| Streaming | Multiple configurable streams in H.264 or H.265 and M-JPEG, configurable frame rate and bandwidth. Regions of Interest (ROI) |
| GOP structure | IP |
| Encoding interval | |
| 2 MP | 1 to 30 fps |

Video streaming

| | |
|-----------------------------|--|
| 5.3 MP | 1 to 20 fps (5.3 MP) 1 to 25 fps (4.1 MP) |
| Signal-to-noise ratio (SNR) | >55 dB |

Video resolution

| | |
|----------|-------------|
| 2 MP | |
| 1080p HD | 1920 x 1080 |
| 720p HD | 1280 x 720 |
| SD | 768 x 432 |
| D1 | 720 x 480 |
| VGA | 640 x 480 |
| 5.3 MP | |
| 5.3 MP | 3072 x 1728 |
| 4.1 MP | 2720 x 1530 |
| 3 MP | 2304 x 1296 |
| 1080p | 1920 x 1080 |
| 720p | 1280 x 720 |
| SD | 768 x 432 |
| D1 | 720 x 480 |
| VGA | 640 x 480 |

Camera installation

| | |
|--------------------|--|
| Mirror image | On / Off |
| Rotation | 0° / 90° upright / 180° / 270° upright |
| Camera LED | Enable / Disable |
| Camera view wizard | Zoom, autofocus |

Video functions - color

| | |
|-----------------------------|---|
| Adjustable picture settings | Contrast, Saturation, Brightness |
| White Balance | 2500 to 10000K, 4 automatic modes (Basic, Standard, Sodium lamp, Dominant color), Manual mode and Hold mode |

Video functions - ALC

| | |
|-----------|---|
| Shutter | Automatic Electronic Shutter (AES); Fixed (1/25[30] to 1/15000) selectable; Default shutter |
| Day/Night | Auto (adjustable switch points), Color, Monochrome |

Video functions - enhance

| | |
|------------------------|---|
| Sharpness | Sharpness enhancement level selectable |
| Backlight compensation | On/off |
| Contrast enhancement | On/off |
| Noise reduction | Intelligent Dynamic Noise Reduction with separate temporal and spatial adjustments |
| Intelligent defog | Intelligent Defog automatically adjusts parameters for best picture in foggy or misty scenes (switchable) |

Video content analysis

| | |
|---------------|--|
| Analysis type | Essential Video Analytics |
| Features | Rule based alarms and tracking, Line crossing, Enter / leave field, Follow route, Loitering, Idle / removed object, People counting, Crowd density estimation, 3D tracking |

Additional functions

| | |
|------------------|---|
| Privacy Masking | Eight independent areas, fully programmable |
| Display stamping | Name, Logo, Time; Alarm message |
| Pixel counter | Selectable area |

Local storage

| | |
|---------------------|---|
| Internal RAM | up to 5 s pre-alarm recording |
| Memory card slot | microSDHC / microSDXC SD card slot |
| Industrial SD cards | Extreme lifetime and health monitoring support that provides early service indication |

Input/output

| | |
|----------------|-----------------------------------|
| Audio line in | 10 kOhm typical; max input 1 Vrms |
| Audio line out | 16 Ohm typical; output 0.875 Vrms |
| Alarm input | Short or DC 5 V activation |
| Alarm output | Maximum load: 12 VDC / 50 mA |
| Ethernet | RJ45 connector |

Audio streaming

| | |
|-----------------------|---|
| Standard | G.711, 8 kHz sampling rate L16, 16 kHz sampling rate AAC-LC, 48 kbps at 16 kHz sampling rate AAC-LC, 80 kbps at 16 kHz sampling rate |
| Signal-to-Noise Ratio | >50 dB |
| Audio Streaming | Full-duplex / half duplex |

Network

| | |
|------------------|---|
| Protocols | IPv4, IPv6, UDP, TCP, HTTP, HTTPS, RTP/RTCP, IGMP V2/V3, ICMP, ICMPv6, RTSP, FTP, ARP, DHCP, APIPA (Auto-IP, link local address), NTP (SNTP), SNMP (V1, V3, MIB-II), 802.1x, DNS, DNSv6, DDNS (DynDNS.org, selfHOST.de, no-ip.com), SMTP, iSCSI, UPnP (SSDP), DiffServ (QoS), LLDP, SOAP, Dropbox™, CHAP, digest authentication |
| Encryption | TLS1.0/1.2, AES128, AES256 |
| Ethernet | 10/100 Base-T, auto-sensing, half/full duplex |
| Connectivity | Auto-MDIX |
| Interoperability | ONVIF Profile S; ONVIF Profile G; ONVIF Profile T: GB/T 28181 |

Mechanical

| | |
|---------------------------------------|--|
| Dimensions (Ø x H) | 137 x 122.5 mm (5.4 x 4.8 in.) |
| Weight (approx.) | 760 g (1.68 lbs) |
| Mounting | Surface mount |
| Color | White (RAL9003) |
| 3-axis adjustment (pan/tilt/rotation) | Pan: 0° to 355° Tilt: 0° to 85° Roll: 0° to 355° |
| Dome bubble | Polycarbonate, clear with anti-scratch coating |

Environmental

| | |
|------------------------------------|---|
| Operating temperature (continuous) | -30 °C to +50 °C (-22 °F to +122 °F) |
| Storage temperature | -30 °C to +70 °C (-22 °F to +158 °F) |
| Humidity | 5% to 100% relative humidity (condensing) 5% to 93% relative humidity (non condensing) |
| Storage humidity | Up to 98% relative humidity |
| Impact resistance | IK10 |
| Water/dust protection | IP66 |

Ordering information

NDE-3502-AL Fixed dome 2MP HDR 3.2-10mm IP66 IK10 IR

Fixed dome camera 2MP resolution; Essential Video Analytics; 3.2-10 mm lens; outdoor vandal resistant; integrated IR illuminator
Order number **NDE-3502-AL**

NDE-3503-AL Fixed dome 5MP HDR 3.2-10mm IP66 IK10 IR

Fixed dome camera 5MP resolution; Essential Video Analytics; 3.2-10 mm lens; outdoor vandal resistant; integrated IR illuminator
Order number **NDE-3503-AL**

Accessories

NDA-3080-CND Conduit adapter NDE-3000 outdoor camera

Conduit adapter for NDE-3000 outdoor camera
Order number **NDA-3080-CND**

NDA-3080-PIP Pendant interface plate NDE-3000 dome

Pendant interface plate for NDE-3000 dome
Order number **NDA-3080-PIP**

NDA-3080-4S 4S adapter plate NDE-3000 dome camera

4S adapter plate for NDE-3000 dome camera
Order number **NDA-3080-4S**

NDA-U-CMT Corner mount adapter

Corner mount adapter
Order number **NDA-U-CMT**

NDA-U-PMAL Pole mount adapter large

Universal pole mount adapter, white; large
Order number **NDA-U-PMAL**

NDA-U-PMAS Pole mount adapter small

Pole mount adapter small
Universal pole mount adapter, white; small.
Order number **NDA-U-PMAS**

NDA-U-PMT Pendant pipe mount, 12" (31cm)

Universal pipe mount for dome cameras, 31 cm, white
Order number **NDA-U-PMT**

NDA-U-PMTE Pendant pipe extension, 20" (50cm)

Extension for universal pipe mount, 50 cm, white
Order number **NDA-U-PMTE**

NDA-U-WMP Wall mount plate

Back plate for universal wall mount, corner mount and pole mount, white, IP66
Order number **NDA-U-WMP**

NDA-U-WMT Pendant wall mount

Universal wall mount for dome cameras, white
Order number **NDA-U-WMT**

NDA-U-PMTG Pendant pipe mount, gang box

Universal pipe mount, compatible with gang box installation for fixed dome cameras only, white
Order number **NDA-U-PMTG**

NDA-U-WMTG Pendant wall mount, gang box

Universal wall mount, compatible with gang box installation for fixed dome cameras only, white
Extension for universal pipe mount, 50 cm, white
Order number **NDA-U-WMTG**

NDA-U-PSMB Pendant wall/ceiling mount SMB

Surface mount box (SMB) for wall mount or pipe mount.
Order number **NDA-U-PSMB**

NPD-5001-POE Power over ethernet , 15.4W, 1-port

Power-over-Ethernet midspan injector for use with PoE enabled cameras; 15.4 W, 1-port
Weight: 200 g (0.44 lb)
Order number **NPD-5001-POE**

NPD-5004-POE Power over ethernet, 15.4W, 4-port

Power-over-Ethernet midspan injector for use with PoE enabled cameras; 15.4 W, 4-ports
Weight: 620 g (1.4 lb)
Order number **NPD-5004-POE**

UPA-1220-50 Power supply, 220VAC 50Hz, 12VDC 1A out

Power supply for camera. 110-240 VAC, 50/60 Hz In; 12 VDC, 1 A Out; regulated.
Input connector: 2-prong, European Europlug standard (4 mm / 19 mm).
Order number **UPA-1220-50**

UPA-1220-60 Power supply, 120VAC 60Hz,12VDC 1A out

Power supply for camera. 100-240 VAC, 50/60 Hz In; 12 VDC, 1 A Out; regulated.
Input connector: 2-prong, North American standard (non-polarized).
Order number **UPA-1220-60**

Represented by:

Europe, Middle East, Africa:
Bosch Security Systems B.V.
P.O. Box 80002
5600 JB Eindhoven, The Netherlands
Phone: + 31 40 2577 284
emea.securitysystems@bosch.com
emea.boschsecurity.com

Germany:
Bosch Sicherheitssysteme GmbH
Robert-Bosch-Ring 5
85630 Grasbrunn
Germany
www.boschsecurity.com

North America:
Bosch Security Systems, Inc.
130 Perinton Parkway
Fairport, New York, 14450, USA
Phone: +1 800 289 0096
Fax: +1 585 223 9180
onlinehelp@us.bosch.com
www.boschsecurity.us

Asia-Pacific:
Robert Bosch (SEA) Pte Ltd, Security Systems
11 Bishan Street 21
Singapore 573943
Phone: +65 6571 2808
Fax: +65 6571 2699
apr.securitysystems@bosch.com
www.boschsecurity.asia