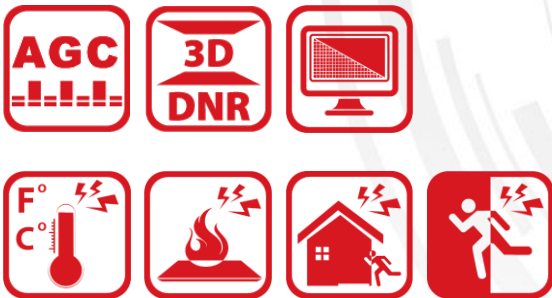


## DS-2TD2336-50/75/100 Thermal Network Bullet Camera



Hikvision DS-2TD2336-50/75/100 Thermal Network Bullet Camera is applied to perimeter defense and fire-prevention purposes in critical infrastructures such as: airport, railway, prison, power station, 4S stores, and so on. The pre-alarm system helps you discover unexpected events immediately and protects you from property loss.

### Smart Function (Thermal Imaging)

- Leading image processing technology: Adaptive AGC, DDE, 3D DNR, NETD < 40mk (@25°C, F#=1.0)
- Powerful behavior analysis algorithm: Line crossing, Intrusion, Region Entrance & Exit
- Reliable temperature exception alarm function
- Advanced fire detection algorithm

### Thermal Imaging Module Function

- 384\*288 resolution, high sensitivity sensor, support contrast adjustment
- Support shutter adjustment in various modes
- 3D DNR, 15 palettes of color adjustable, image detail enhancement
- 50 mm, 75 mm and 100 mm lens are optional



## Specifications

Parameter		Model	DS-2TD2336-50	DS-2TD2336-75	DS-2TD2336-100
		Thermal Network Bullet Camera			
Thermal module	Image sensor	Vanadium Oxide Uncooled Focal Plane Arrays			
	Max. Resolution	384 × 288			
	Detector Pitch	17μm			
	Response waveband	8μm to 14μm			
	NETD	< 40mk(@25°C,F#=1.0)			
	Lens (focal length)	50mm	75mm	100mm	
	MRAD	0.34mrad	0.23mrad	0.17mrad	
	Field of View	7.47°×5.61°	4.98°×3.74°	3.74°×2.8°	
	Min. Focusing Distance	7.5m	8m	10m	
	F number	1.0			
Smart function	VCA	Support 4 VCA rule types (Line Crossing, Intrusion, Region Entrance, and Region Exiting), 10 scenes and 8 VCA rules for each scene.			
	Temperature Measurement	Support 3 temperature measurement rule types, over 256 presets as scene, 21 rules of each scene (10 points, 10 regions, and 1 line)			
	Temperature range	-20 °C to 150 °C (-4 °C to 302 °F)			
	Temperature accuracy	±8 °C (14.4 °F)			
	Fire detection	Support 10 fire points			
Network	Main stream	50fps (384×288)			
	Sub stream	50fps (384×288)			
	Third stream	50fps (384×288)			
	Video compression	H.264 (Baseline/Main/High Profile) /MJPEG/H.265, H.264+, H.265+			
	Audio compression	G.711u/G.711a/G.722.1/MP2L2/G.726/PCM			
	Protocols	IPv4/IPv6,HTTP,HTTPS,802.1x,Qos,FTP,SMTP,UPnP,SNMP,DNS,DDNS,NTP,RTSP,RTCP,RTP,TCP,UDP,IGMP,ICMP,DHCP, PPPoE, Bonjour			
	Simultaneous live view	Up to 20-ch			
	User/Host level	Up to 32 users, 3 levels: Administrator, Operator, User			
	Security measures	User authentication (ID and PW), MAC address binding, HTTPS encryption, IEEE 802.1x access control, IP address filtering			
Integration	Alarm Input	2-ch Input (0-5V DC)			
	Alarm Output	2-ch Relay Output; Support Alarm Linkage			
	Alarm Action	Preset/Patrol Scan/Pattern Scan/SD Card Record/Relay Output/Smart capture/FTP upload/Email linkage			
	Audio Input	1-ch 3.5 mm LINE_IN Input/MIC Input; Peak: From 2 to 2.4V[p-p]; Output Impedance: 1KΩ±10%			
	Audio Output	Linear Level; Impedance: 600Ω			
	Communication Interface	Built-in RJ45; 10M/100M Ethernet Interface			
	Onboard Storage	Built-in Micro SD/SDHC/SDXC Card Slot, Up to 64GB; Support Manual/Alarm Recording			
	Analog Video Output	1.0V [p-p]/75Ω, PAL/NTSC/BNC			
	API	Open-ended API, support ISAPI; Support HIKVISION SDK and Third-party Management Platform			
	Client	iVMS-4200			
Web Browser	IE 7+, Chrome 18+, Firefox 5.0+, Safari 5.02+; Multiple Languages				
General	Menu	English			
	Wiper	Yes			
	Power	24V AC, 12VDC/3A, 8W (22W with De-icing Heater On)			
	Work Temperature/Humidity	From -40 °C to 65 °C (-40 °F to 149 °F); Humidity: 90% or Less			
	Protection Level	IP66 Standard; TVS 6000V Lightning Protection, Surge Protection and Voltage Transient Protection			
	Weight	Approx. 6.40 kg (14.11 lb)			

## Wide Range Coverage for Different Specifications

**Note:** The table below is only for reference, the performance varies from model to model, and the specific data is based on 17 μm detector pitch.

Lens (focal length)	7mm	10mm	15mm	25mm	35mm	50mm	75mm
Detection range (Vehicles)	631m	902m	1353m	2255m	3157m	4510m	6765m
Detection range (Humans)	206m	294m	441m	735m	1029m	1471m	2206m
Recognition range (Vehicles)	158m	225m	338m	564m	789m	1127m	1691m
Recognition range (Humans)	51m	74m	110m	184m	257m	368m	551m
Identification range (Vehicles)	79m	113m	169m	282m	395m	564m	846m
Identification range (Humans)	26m	37m	55m	92m	129m	184m	276m

## Smart functions Range Table

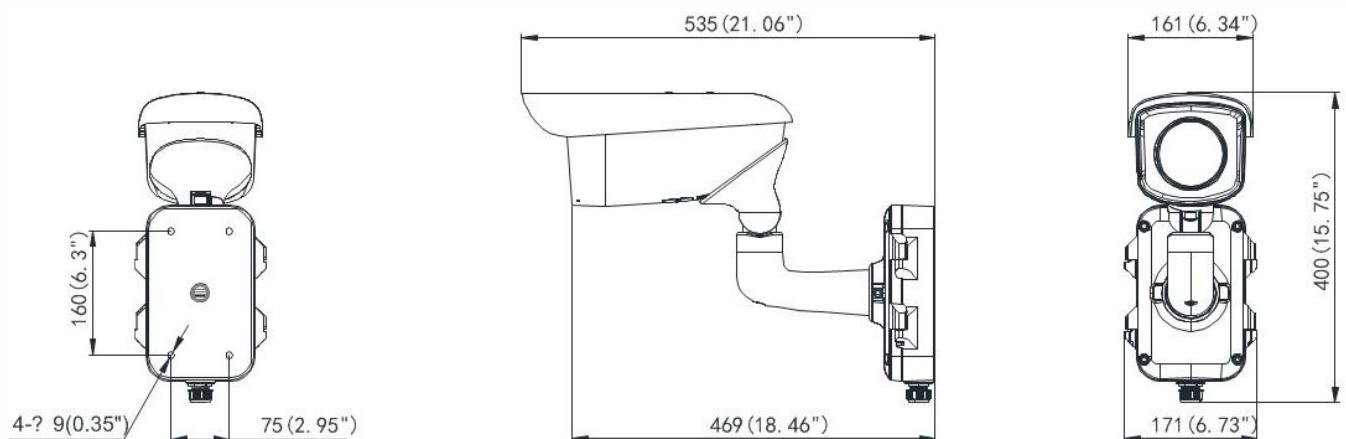
**Note:** The table below is only for reference, the performance varies from model to model, and the specific data is based on 17 μm detector pitch.

Lens (focal length)	7mm	10mm	15mm	25mm	35mm	50mm	75mm
VCA range (humans)	50m	72m	110m	183m	255m	360m	540m
VCA range (Vehicles)	144m	205m	308m	514m	720m	1029m	1544m
Temperature measurement (Object:2×2 m)	164m	234m	351m	585m	819m	1170m	1775m
Temperature measurement ((Object:1×1 m)	83m	118m	177m	295m	413m	590m	885m
Fire Detection (Object:2×2 m)	412m	588m	882m	1470m	2058m	2940m	4410m
Fire Detection (Object:1×1 m)	206m	294m	441m	735m	1029m	1470m	2205m

## Order Models

DS-2TD2336-50; DS-2TD2336-75; DS-2TD2336-100

## Dimensions



Distributed by

**HIKVISION®****Headquarters**

No.555 Qianmo Road, Binjiang District,  
Hangzhou 310051, China  
T +86-571-8807-5998  
overseasbusiness@hikvision.com

**Hikvision USA**  
T +1-909-895-0400  
sales.usa@hikvision.com

**Hikvision Europe**  
T +31-23-55-42-770  
info.eu@hikvision.com

**Hikvision Middle East**  
T +971-4-8816086  
salesme@hikvision.com

**Hikvision Russia**  
T +7-495-669-67-99  
saleru@hikvision.com

**Hikvision India**  
T +91-22-28469900  
sales@pramahikvision.com

**Hikvision Italy**  
T +39-0438-6902  
info.it@hikvision.com

**Hikvision France**  
T +33(0)1-85-330-450  
info.fr@hikvision.com

**Hikvision Spain**  
T +34-91-737-16-55  
info.es@hikvision.com

**Hikvision Poland**  
T +48-22-460-01-50  
poland@hikvision.com

**Hikvision UK**  
T +01628-902140  
support.uk@hikvision.com

**Hikvision Singapore**  
T +65-6684-4718  
sg@hikvision.com

**Hikvision Oceania**  
T +61-2-8599-4233  
salesau@hikvision.com

**Hikvision Canada**  
T +1-909-895-0400  
sales.usa@hikvision.com

**Hikvision Korea**  
T +82-31-731-8841  
sales.korea@hikvision.com

**Hikvision Brazil**  
T +55 11 3318-0050  
Latam.support@hikvision.com

**Hikvision Africa**  
T +27 (10) 0351172  
sale.africa@hikvision.com

**Hikvision Hong Kong**  
T +852-2151-1761