

**NTSC** WV-CW244S (24 V AC or 12 V DC) <Smoke Dome Type>  
**PAL** WV-CW240S (220 ~ 240 V AC) <Clear Dome Type>  
 WV-CW244F (24 V AC or 12 V DC) <Smoke Dome Type>  
 WV-CW244F (24 V AC or 12 V DC) <Clear Dome Type>



(Surface Mount Type)

(Flush Mount Type)

**IP66**  
standard

## Cost effective Vandal Resistant Fixed Dome Camera

### Key Features

- High resolution: 480 TV lines
- High sensitivity: 1.0 lux with clear dome cover at F1.4 (Wide)
- 3.8 ~ 8.0 mm, 2x Varifocal Auto Iris lens
- Internal / Line-lock / Multiplexed Vertical Drive (VD2) synchronization
- Monitor output for easier installation
- IP66 rated water and dust resistant. Compatible with IEC60529 measurement standard.
- Vandal resistant mechanism for high reliability  
Die cast aluminum body, 3.5 mm thick polycarbonate dome and a spring mounted lens unit.
- 3-way hinge (horizontal, vertical and swivel rotation) for easy installation
- Various mounting options: Flush mount (F type) or Surface mount (S type) to Ceiling, Wall or Junction box (NTSC only)
- Optional heater maintains operating temperature -30 °C ~ +50 °C (-22 °F ~ +122 °F).

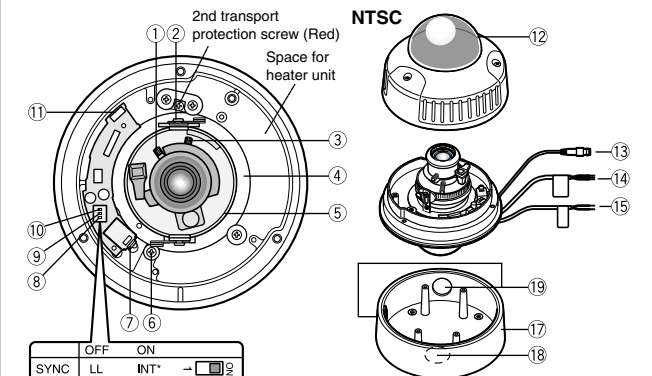
### Standard Accessories

- Operating Instructions ..... 1 pc.
  - Camera-Bracket screw (M4x10) ..... 4 pcs. (WV-CW244S only)
  - Attachment-Bracket screw (M4x10) ..... 4 pcs. (WV-CW240S only)
  - Tamperproof screw bit ..... 1 pc.
  - Camera mounting bracket (supplied only for WV-CW240S/244S)... 1 pc.
- The followings are for installation.

### Optional Accessories

Mount Bracket for WV-CW244F <b>WV-Q112</b> (NTSC only) <b>WV-Q113</b> (PAL only)		Heater Unit <b>WV-CW3H</b>	
Clear Dome Cover <b>WV-CW2C</b> (NTSC only)		Smoke Dome Cover <b>WV-CW2S</b> (PAL only)	

### Part Names and Functions



	OFF	ON	
SYNC	LL	INT*	→ 2
BLC	OFF*	ON	∞
AP	SOFT	SHARP*	∞

\* Default setting

- Focus Lock Lever
- Tilting Lock Screw
- Zoom Lock Lever
- Panning Table
- Azimuth Adjuster
- Pan Lock Screw
- Video Jack (3.5-diam. mini jack)
- Aperture Level Selector
- Back Light Compensation Selector
- Synchronization Mode Selector
- Heater Power Connector
- Dome Cover
- Video Output Cable with BNC Connector
- Camera Power Cable
- Heater Power Cable
- Camera Mounting Attachment (S type: provided, F type: option)
- Camera Mounting Bracket
- Cable Access Hole
- Sideway Cable Exit

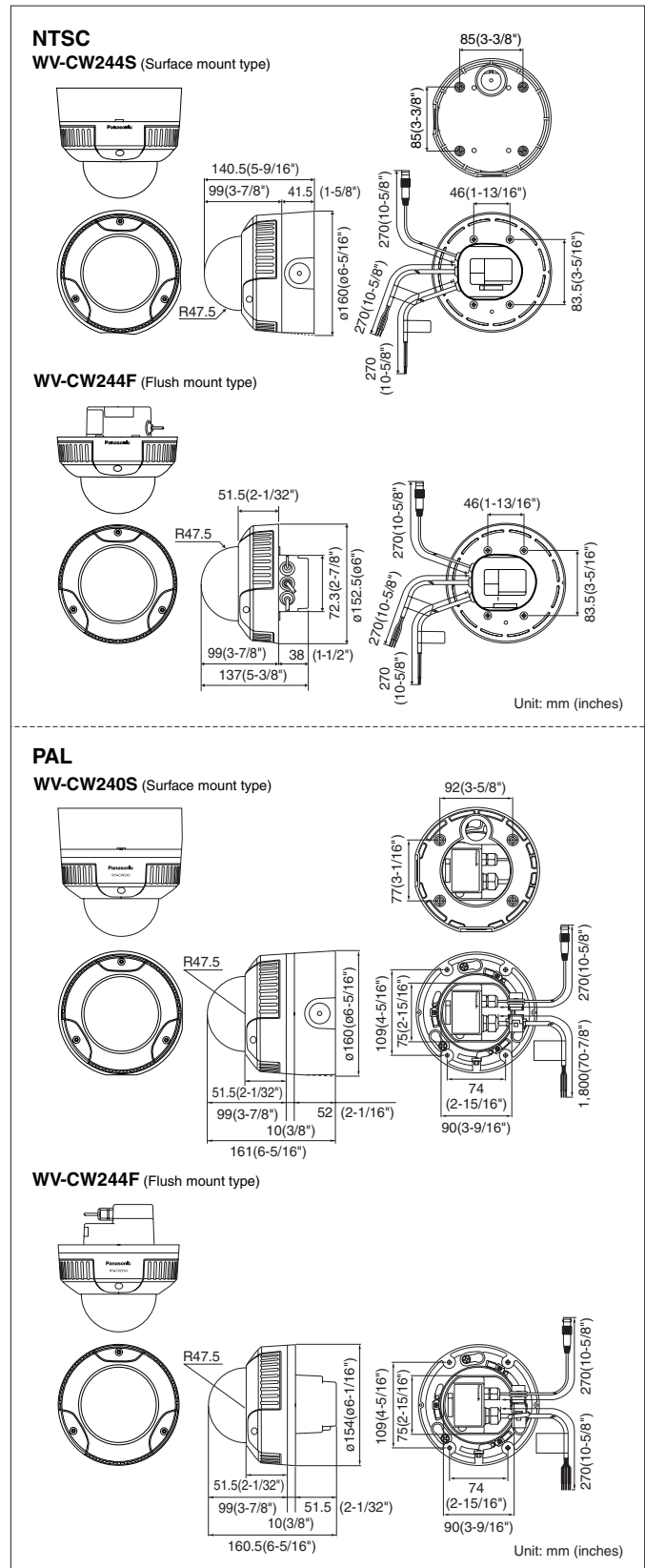
## Specifications

TV System	NTSC	PAL
<b>Type</b>	WV-CW244S: Surface mount type WV-CW244F: Flush mount type	WV-CW240S: Surface mount type
<b>Camera</b>	Image Sensor: 1/3 inch interline transfer CCD Effective Pixels: 768 (H) x 494 (V) Scanning Mode: 2:1 interlace scan Scanning Area: 4.8 (H) x 3.6 (V) mm Scanning Frequency: Horizontal: 15.734 kHz Vertical: 59.94 Hz	752 (H) x 582 (V) Horizontal: 15.625 kHz Vertical: 50 Hz
<b>Horizontal Resolution</b>	480 TV lines	625 lines
<b>Minimum Illumination</b>	Color (30IRE): 2.4 lux at F1.4 Will be same as PAL spec with WV-CW2C optional clear dome cover	Color (30IRE): 1.0 lux at F1.4
<b>Signal-to-Noise Ratio</b>	50 dB (Equivalent to AGC Off, Weight On)	
<b>White Balance</b>	ATW	
<b>Light Control</b>	ALC / ELC (only when monitor output is used)	
<b>AGC</b>	Always ON	
<b>Lens Mount</b>	CS-mount	
<b>Back Focus Adjustment</b>	Manual	
<b>Synchronization</b>	Internal (INT), Multiplexed Vertical Drive (VD2), Line-Lock (LL)	
<b>Focal Length</b>	3.8 - 8.0 mm, 2x varifocal	
<b>Angular Field of View</b>	H: 35.6° (Tele) ~ 73.6° (Wide) V: 26.6° (Tele) ~ 53.4° (Wide)	
<b>Maximum Aperture Ratio</b>	1:1.4 (Wide) 1:1.8 (Tele)	
<b>Focusing Range</b>	1.2 m (3.9 ft) - ∞	
<b>Pan and Tilt</b>	Panning Range: ±175° Tilting Range: ±75° Image tilt adjustment range: ±160°	
<b>Input / Output</b>	Video Output: 1.0 V [p-p] / NTSC composite 75 Ω / BNC Connector Multiplexed VD2 capable Monitor Output: 1.0 V [p-p] / 75 Ω / NTSC composite signal / ø3.5 mm mini jack	1.0 V [p-p] / PAL composite 75 Ω / BNC Connector Multiplexed VD2 capable 1.0 V [p-p] / 75 Ω / PAL composite signal / ø3.5 mm mini jack
<b>General</b>	Setup Method: Dip SW: Sync mode, BLC, Aperture Safety/EMC Standard: UL (6500), FCC (Part15 ClassA), C-UL (E60065), DOC (ICES003 ClassA) Power Source and Power Consumption: 24 V AC 60 Hz, 3.0 W, 12.1 W*, 12 V DC 265 mA**	CE (EN60065, EN55022 ClassB, EN55024), GOST (GOST R 51558) WV-CW240S: 220 ~ 240 V AC 50 Hz, 4.1 W, 13 W* WV-CW244F: 24 V AC 50 Hz, 3.0 W, 12.1 W*, 12 V DC 265 mA**
<b>Ambient Operating Temperature</b>	-10 °C ~ +50 °C (14 °F ~ 122 °F), -30 °C ~ +50 °C (-22 °F ~ 122 °F)*	
<b>Ambient Operating Humidity</b>	90 % or less (without condensation)	
<b>Water and Dust Resistance</b>	IP66, Compatible with IEC60529 measurement standard	
<b>Dimensions</b>	WV-CW244S: ø160 mm x 140.5 mm (ø6-5/16" x 5-9/16") WV-CW244F: ø152.5 mm x 137 mm (ø6" x 5-3/8")	WV-CW240S: ø160 mm x 161 mm (ø6-5/16" x 6-5/16") WV-CW244F: ø154 mm x 160.5 mm (ø6-1/16" x 6-5/16")
<b>Weight (approx.)</b>	WV-CW244S: 1.7 kg (3.8 lbs.) WV-CW244F: 1.2 kg (2.7 lbs.)	WV-CW240S: 2.1 kg (4.62 lbs.) WV-CW244F: 1.4 kg (3.08 lbs.)

\* With optional Heater Unit WV-CW3H

\*\* Optional Heater Unit WV-CW3H cannot be used under 12 V DC operation

## Appearance



- All TV pictures are simulated.
- Weights and dimensions are approximate.
- Specifications are subject to change without notice.
- These products may be subject to export control regulations.
- All product pictures are NTSC models.

### Important

– Safety Precaution: carefully read the operating instructions and installation manual before using this product.

DISTRIBUTED BY:

**Panasonic**<sup>®</sup>

<http://panasonic.net/security/>

Printed in Japan (2A-014BA)